

604 Differential Pressure Switch

Range: 20~1000Pa Max. Static Pressure: 1000Pa

Features

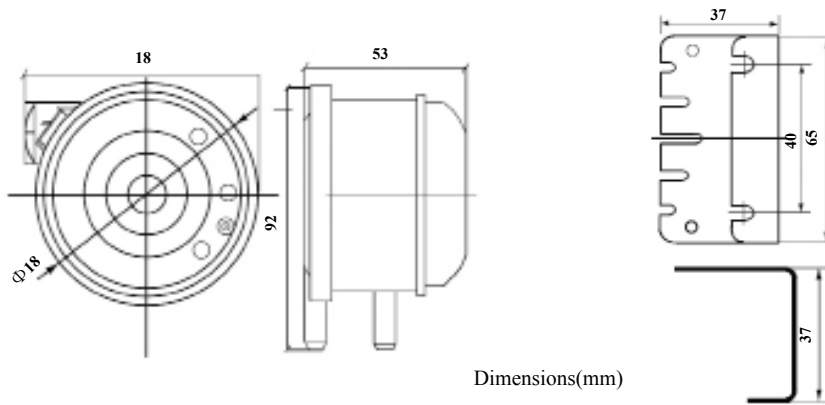
- Low cost, high quality
- Visual switching point setup
- With repeat accuracy of 2%
- With housing fitted by a single screw
- Easy to install, supplied with standard mounting accessories



Specifications

| | |
|--|----------------------------|
| Range: 20~1000Pa | |
| Max. Static Pressure: 1000Pa | |
| Protection Standard: IP54 | |
| Output contact Load: 2A at 250V, contact switch | |
| Weight: 100g | |
| Dimensions: $\Phi 81 \times 53$ | |
| Testing Standards: EN61058, DIN3398 | |
| Temperature Limit: -15°C to 60°C | |
| Accessories: Plastic tubing | $\Phi 6.2\text{mm}$, 1.8m |
| Bracket type Z | 1 pc |
| Screws | 3 pcs |
| Pressure connection tubing | 2 pcs |

Dimensional Outline Drawings



Order Information

| Model No. | DP Range (Pa) | Model No. | DP Range (Pa) | Model No. | DP Range (Pa) |
|-----------|---------------|-----------|---------------|-----------|---------------|
| 604-0 | 20~300 | | | | |
| 604-2 | 50~500 | | | | |
| 604-3 | 100~1000 | | | | |
| | | | | | |